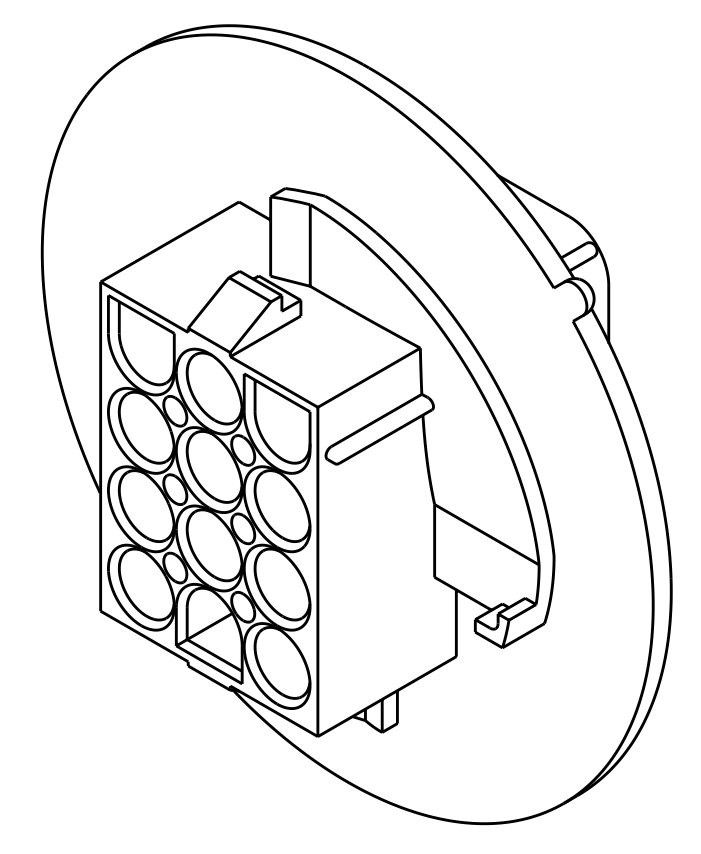
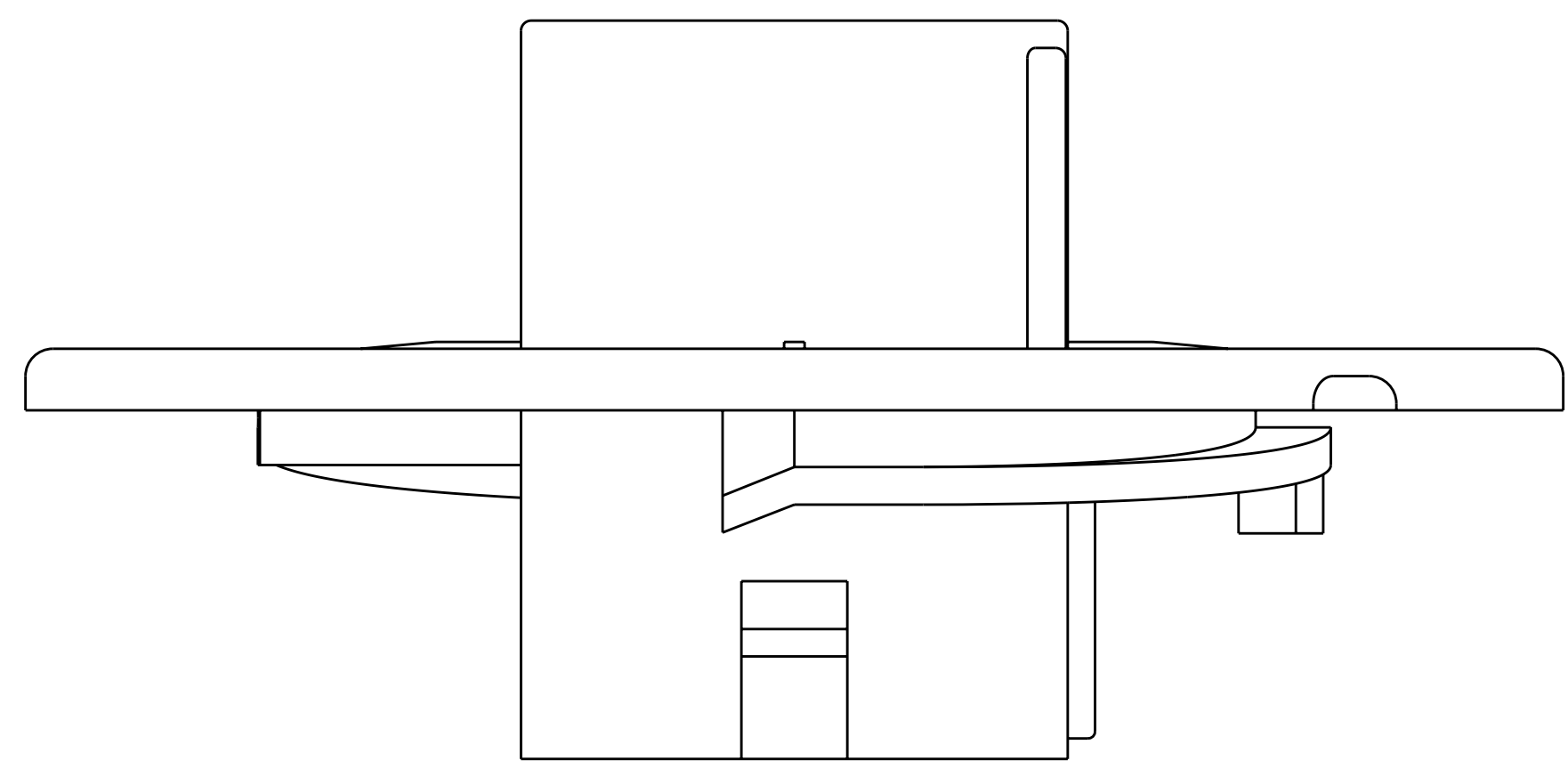
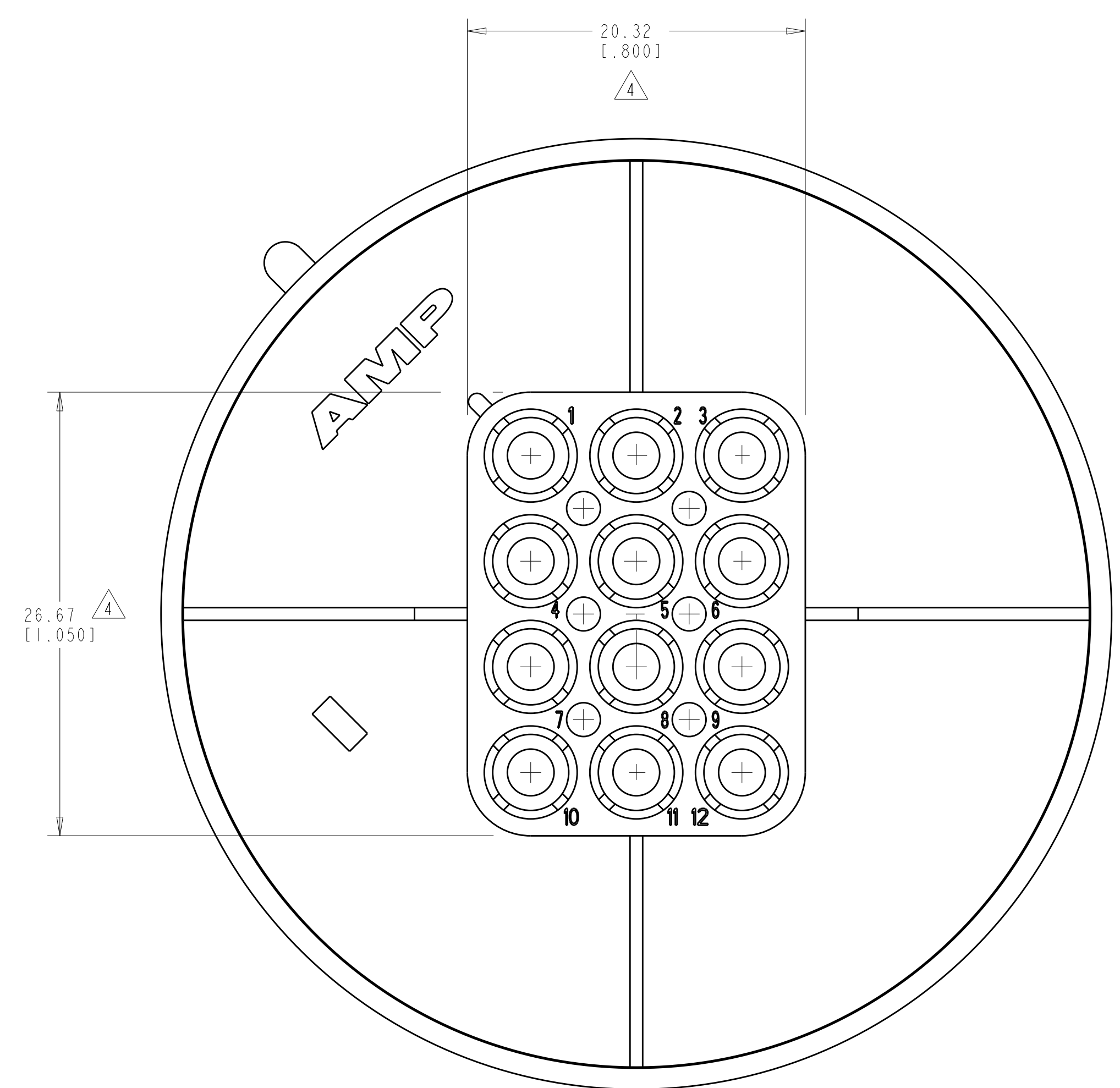
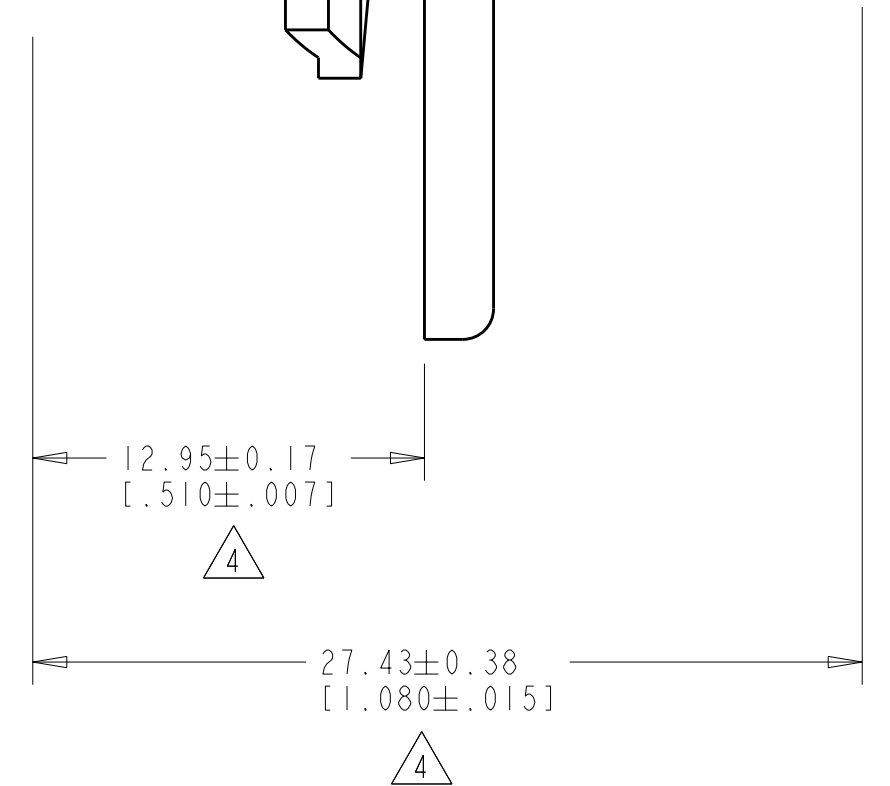
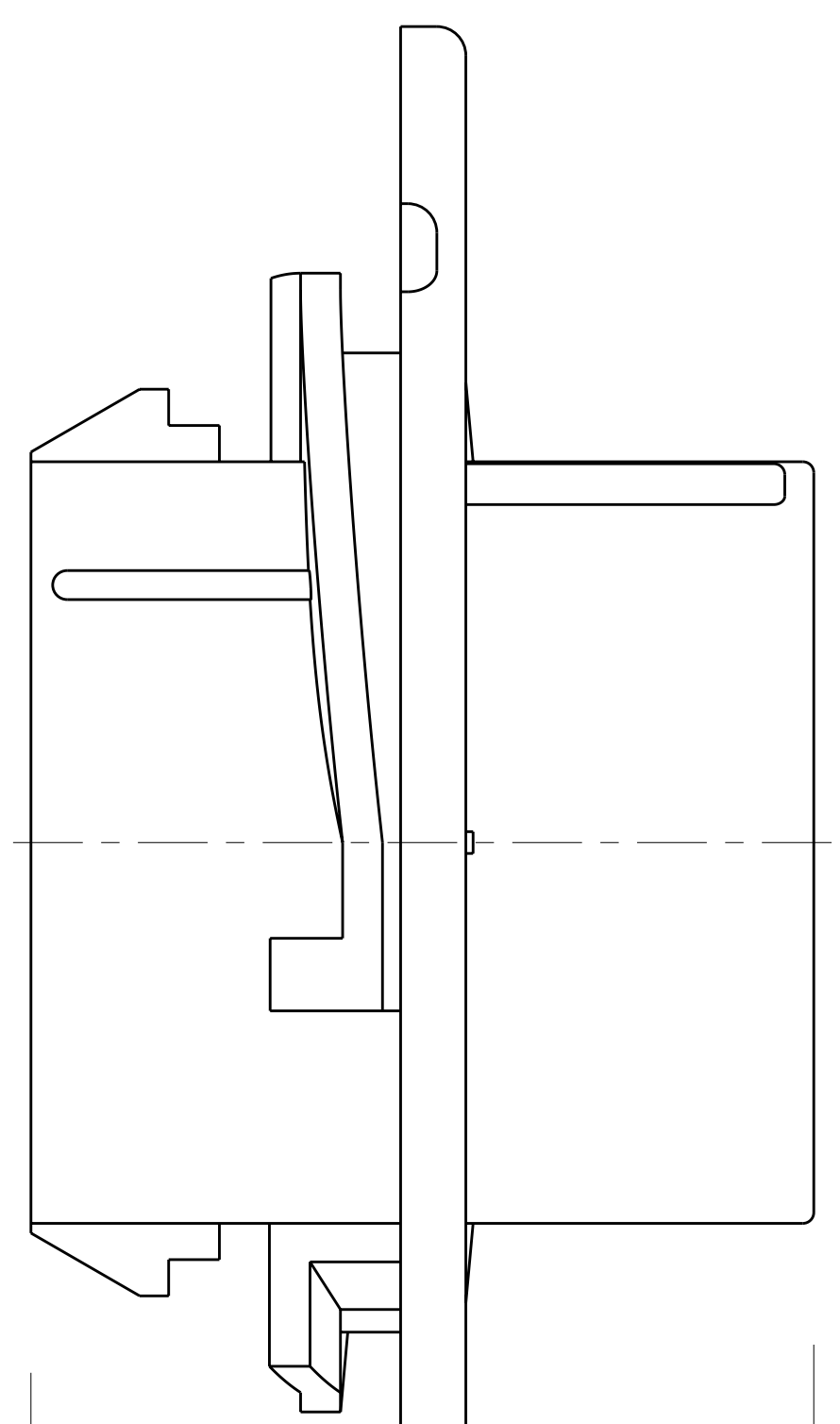
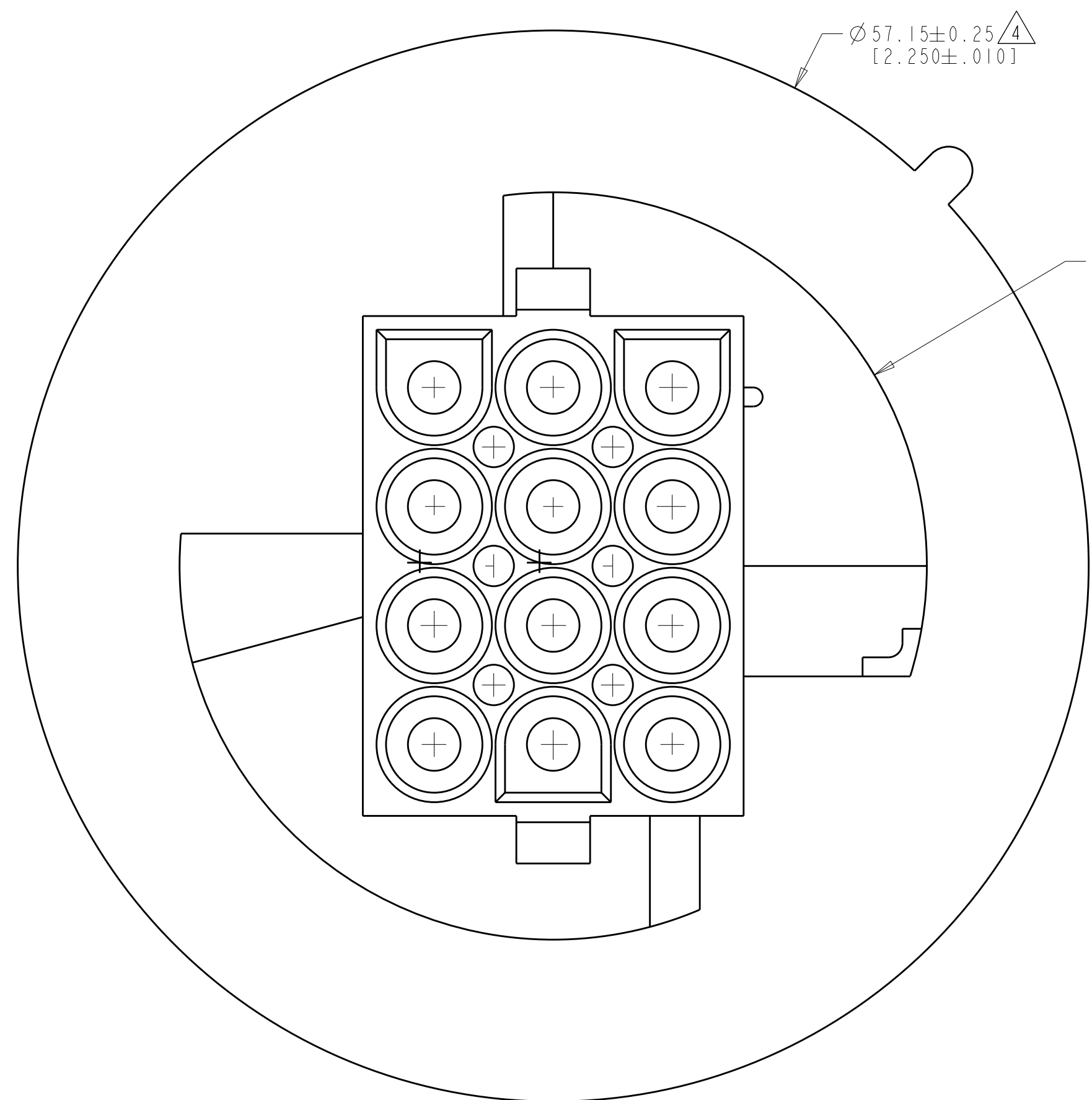
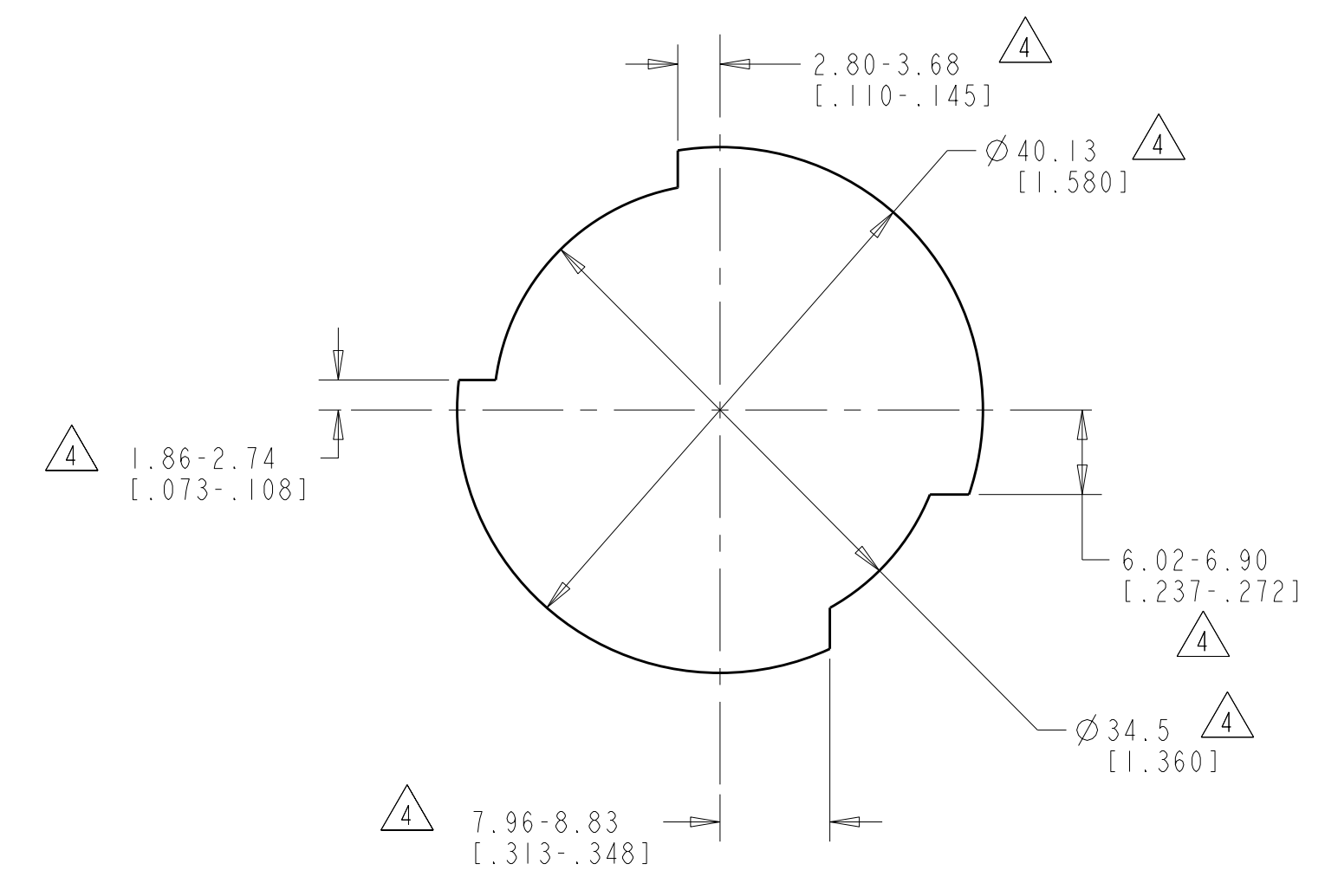


LOC	DIST	REVISIONS			
CM	00	REV	DATE	BY	APPD
		K	03MAR2011	HMR	TM

- MATES WITH APPROPRIATE UNIVERSAL MATE-N-LOK™ PLUG.
 - RECOMMENDED PANEL THICKNESS 0.76 - 2.29 [.030 - .090].
 - PANEL MUST BE PUNCHED SO THAT THE HOUSING ENTERS THE PANEL IN THE SAME DIRECTION AS THE PUNCH.
- △ DIMENSIONS INDICATED ARE REFERENCE. ADDITIONAL GROWTH DUE TO SUBSEQUENT MOISTURE ABSORPTION MAY OCCUR.



3-DIMENSIONAL MODEL
SCALE 2:1



COLOR	PART NUMBER
BLACK	1-794716-9
GRAY	1-794716-8
BLUE	1-794716-6
GREEN	1-794716-5
YELLOW	1-794716-4
ORANGE	1-794716-3
RED	1-794716-2
BROWN	1-794716-1
PRELIMINARY	RED 794716-3
BLACK	794716-2
NATURAL	794716-1
COLOR	PART NUMBER

DIMENSIONS: mm [INCHES] TOLERANCES UNLESS OTHERWISE SPECIFIED: 9 PLC ± 8 PLC ±0.13(.005) 5 PLC ± 4 PLC ± ANGLES ±40° 30'		DWN: R. WHITAKER 08-OCT-1999 CHK: M. TRULL 08-OCT-1999 APVD: M. TRULL 08-OCT-1999 PRODUCT SPEC APPLICATION SPEC WEIGHT FINISH		AMP Incorporated Harrisburg, PA 17105-3608 NAME: CAP, 12 CIRCUIT, UNIVERSAL MATE-N-LOK(TM), SPECIAL SIZE: A 00779 C=794716 SHEET 1 OF 1 REV K	
MATERIAL: NYLON UL 94V-2		CUSTOMER DRAWING		SCALE: 4:1	

