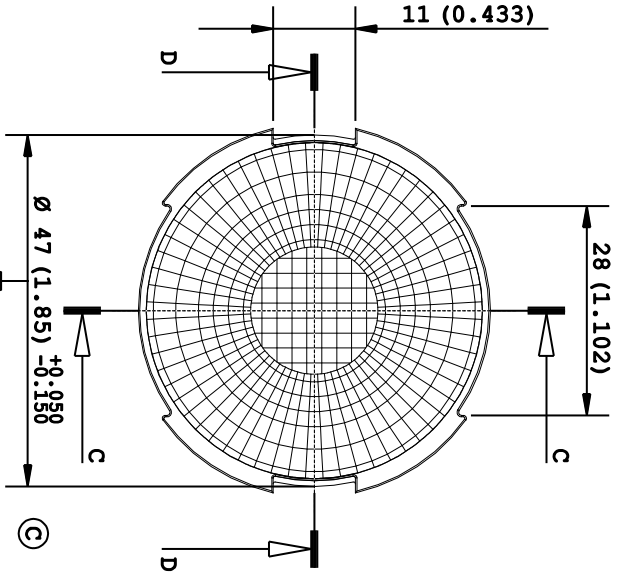
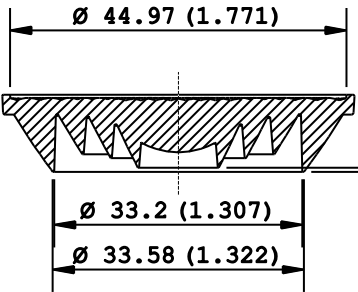
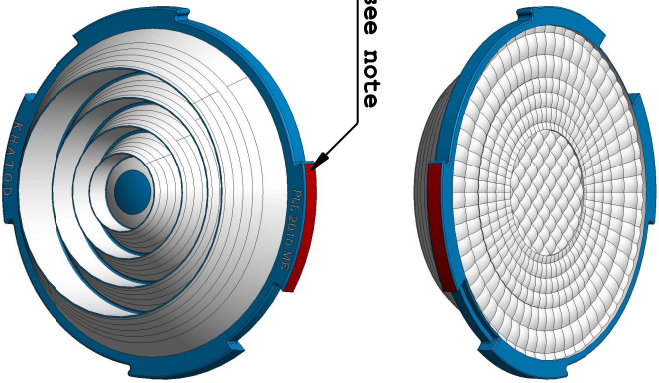


0.55 (0.022)



Gate area: see note



- Note:**
- Dimensions in inches into brackets
 - For missing dimensions see 3D file
 - WHITE surfaces: mirror polished
 - BLUE surfaces: embossed 25/27 VDI
 - RED surface: available area for gate material.
 - Slink mark injection will be present
 - (C) : Quality Control Dimension (QCD)

Project and design owned by KhatoD OPRONTEKHOPTONIC s. r. l.
 The technical solutions adopted in this design are KhatoD Intellectual property; they cannot be reproduced and transmitted to third parties without our prior written permission.
 Unauthorised disclosure of confidential proprietary information will be prosecuted by law.
 INSEGNITORE : **Fresnel Lens**
 REVISIONI : **IM/JS**
 PRODUTTORE : **Bassett**

KHATOD Via Alessandro, 25 Casale Mottino ITALIA WWW.KHATOD.COM		All dimensions in mm		GENERAL TOLERANCES +/- 0.20 mm		NEXT TOLERANCES:		MATERIAL:	
PL 2010 ME		IM		IS		No One		Pmma	
SCALE : 1 : 1		SHEET : 1 OF 1		DATE : 05/12/2016		PRODOTTORE : Bassett			